

Company: _____
 Contact Name: _____
 Address: _____
 City / State / Zip: _____
 Phone #: _____
 Email: _____

Email (or fax) form to your authorized distributor:

Authorized Distributor: _____
 Branch Location: _____
 Email / Fax: _____
 Project Name: _____
 Date: _____ PO #: _____

① **Thickness (select one)** 18mm 4mm

② **Color (select one)**

- | | | |
|---------------------|-------------------------|-------------------|
| alpine white - 5910 | bordeaux - 5600 | brown - 5776 |
| white - 5907 | oxide red - 5771 | black - 5299 |
| opal white - 5196 | signal red - 5655 | light grey - 5290 |
| latte - 5772 | orange - 5570 | stone grey - 5295 |
| pale ivory - 5525 | turquoise - 5471 | cappuccino - 5773 |
| cobalt blue - 5380 | kiwi - 5440 | mint - 5421 |
| anthracite - 5297 | *ONLY available in 18mm | |

⑤ **Hinge Hardware Selection**

- Full Overlay (35mm cup) Half Overlay (35mm cup)
- Soft Close (71B3550) Soft Close (71B3650)
- Self Close (71T5550) Self Close (71T5650)
- Free Swing (70T3580) Free Swing (70T3650)

QTY: _____

Hinge Mounting Plates:

- 0mm Do not include mounting plates

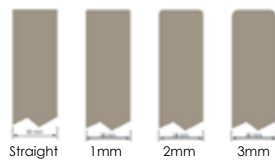
QTY: _____

⑥ **Decorative Hardware & Handles**

Drill for handle holes (Must specify handle location on pg 2)

- | | | | |
|-------------------------------|---------------------------------|------------------------------------|-----------------------------------|
| Natural Anodized | | Brushed Stainless & ORB | Various Finishes |
| Knobs | Bar Pulls | Bar Pulls | Finger Pulls |
| <input type="checkbox"/> K001 | <input type="checkbox"/> P1-127 | <input type="checkbox"/> P1-76S | <input type="checkbox"/> P2-42 |
| <input type="checkbox"/> K005 | <input type="checkbox"/> P1-190 | <input type="checkbox"/> P1-192S | <input type="checkbox"/> P2-42S |
| <input type="checkbox"/> K006 | <input type="checkbox"/> P1-250 | <input type="checkbox"/> P1-320S | <input type="checkbox"/> P2-42ORB |
| <input type="checkbox"/> K007 | <input type="checkbox"/> P1-380 | <input type="checkbox"/> P1-76ORB | <input type="checkbox"/> P2-42W |
| <input type="checkbox"/> K008 | <input type="checkbox"/> P1-640 | <input type="checkbox"/> P1-192ORB | <input type="checkbox"/> P2-42B |
| <input type="checkbox"/> K009 | <input type="checkbox"/> P1-880 | <input type="checkbox"/> P1-320ORB | <input type="checkbox"/> P2-42X |
| QTY: _____ | | | <input type="checkbox"/> Other |

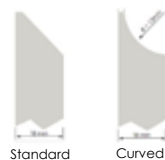
③ **Edge Radius (select one)**



- Straight
1mm*
2mm*
3mm*

(*Available in 18mm ONLY - 4mm parapan will have straight edge)

④ **Integrated Pull** (optional)**



- Standard
Curved
NONE

(**ONLY available in 18mm)

Item	Qty.	Dimensions (Max. 39" x 118")		in. or mm	Left (L)	Right (R)	Up (U)	Drawer (D)	Panel (P)	# Hinge Bore per Door	Element Designs Use Only	
		Width	Height								Price	Ext. Price
1												
2												
3												
4												
5												
6												
7												
8												
9												
10												
11												
12												
13												
14												
15												
16												

Special Instructions: _____

Crating Fee: _____

Shipping: _____

TOTAL: _____

Hinge and Handle Specs

Line Item # _____ Please make copy and fill out 1 sheet for each different boring pattern.

Hinge Borings

X1 = _____ (std=23.5mm) or B = _____ (std=6MM)

X2 TOP/LEFT = _____ (mini-std=3 1/2")

X2 BOTTOM/RIGHT = _____ (mini-std=3 1/2")

X3 = _____ (optional) ** For equally spaced hinges, please use "equal" or "centered" to fill in the X3, X4 and X5 fields

X4 = _____ (optional)

X5 = _____ (optional)

Handle Borings

of Holes: _____

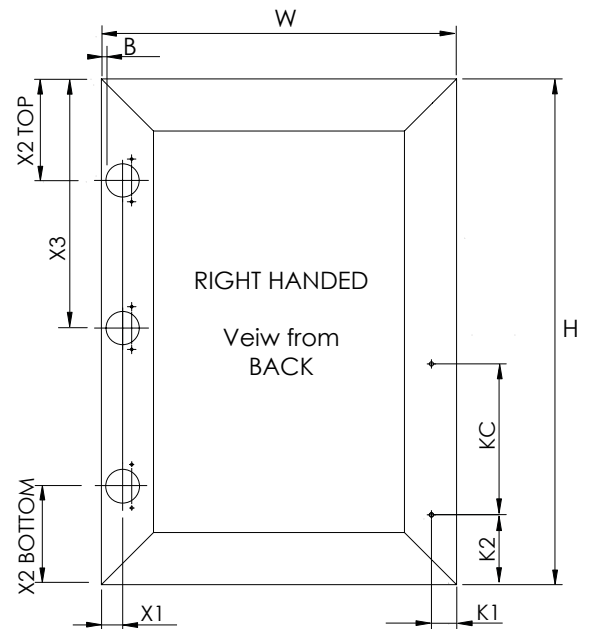
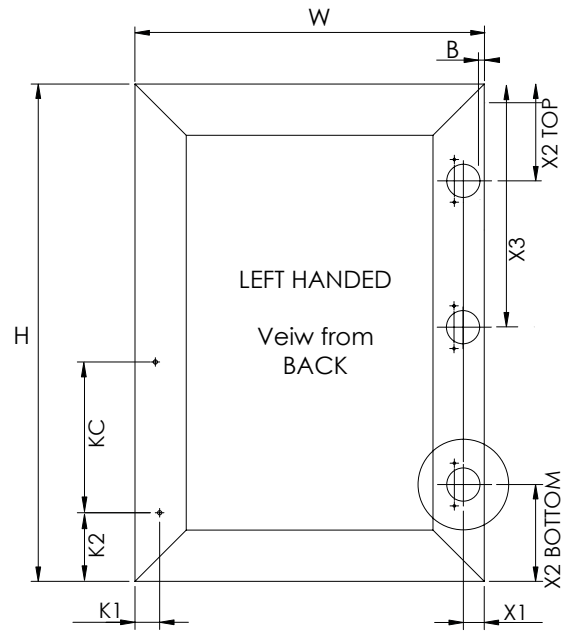
K1 = _____ (Knob or Pull) (standard=centered on)

K2 = _____ (Knob or Pull) (Minimum=2" (standard=2 1/2"))

KC = _____ (Pull only) (center to center)

Handle Hole Diameter = 11/64"

Contact Element Designs for special hardware borings (e.g. lift-up systems)



Hinge Boring Specs

