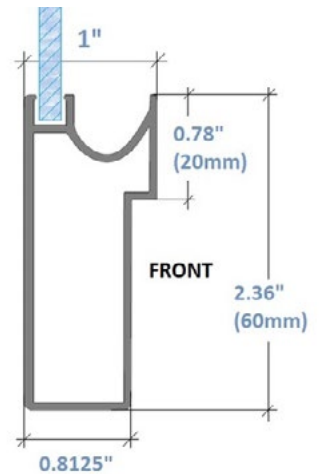




## AF015 ALUMINUM FRAME PROFILE

The AF015 aluminum frame profile combines form and function in our newest door frame design. The adaptable design looks equally at-home in both contemporary and traditional spaces. The innovative profile is available in 11 finishes, and over 50 standard insert options for unrivaled customization. As with our other aluminum frame doors, our AF015 profile is custom made to size, with quick lead times and no minimum order quantities. Proudly made in the USA.



## Design Guidelines

- Maximum width & height = 96" (2438.4mm)
- Minimum width & height = 5.5" (140mm)
- Maximum square footage = 24 sf
- Contact Element Designs for dimensions exceeding recommended maximums

