

Company: \_\_\_\_\_

Contact Name: \_\_\_\_\_

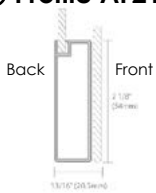
Address: \_\_\_\_\_

City / State / Zip: \_\_\_\_\_

Phone #: \_\_\_\_\_

Email: \_\_\_\_\_

### ① Profile AF210



### ② Profile Finish

<b>Anodized</b>	<b>Standard Coated</b>	<b>Specialty Coated</b>
Natural (N)	Black (B)	Arctic Silver (AS)
	Bronze Matte (BM)	Copper (CP)
	Chalk White Matte (CK)	Gold (GLD)
	Onyx Black Matte (X)	Graphite (GR)
		Luxe Bronze (LB)
		Modern Brass (MB)

### ③ Insert - FRONT

All inserts are 5/32" (4mm). All glass is tempered safety glass & will not have etched tempered logo unless otherwise specified at time of order. Refer to local building codes.

#### Standard Glass

\_\_\_\_\_ Mirror

#### Premium Glass

\_\_\_\_\_ Bronze Obscure Mirror, Grey Obscure Mirror, Low-Iron Mirror, Low-Iron Obscure

#### Backpainted Glass\*\* COLOR \_\_\_\_\_ FINISH \_\_\_\_\_

Aqua, Black, Blush, Bronze, Cream, Mist, Navy, Sand, Slate, White, Non-Standard, or Custom\* Gloss  
Matte

\*Custom Color match approval & fee applies. Contact Element Designs for details. \*\*Backpainted glass has light gray backer.

#### None Customer Supplied / Other \_\_\_\_\_

Element Designs can install customer supplied inserts in frames, contact Sales for details.

### ④ Insert - BACK

All inserts are 5/32" (4mm). All glass is tempered safety glass & will not have etched tempered logo unless otherwise specified at time of order. Refer to local building codes.

#### Standard Glass

\_\_\_\_\_ Mirror

#### Premium Glass

\_\_\_\_\_ Bronze Obscure Mirror, Grey Obscure Mirror, Low-Iron Mirror, Low-Iron Obscure

#### Backpainted Glass\*\* COLOR \_\_\_\_\_ FINISH \_\_\_\_\_

Aqua, Black, Blush, Bronze, Cream, Mist, Navy, Sand, Slate, White, Non-Standard, or Custom\* Gloss  
Matte

\*Custom Color match approval & fee applies. Contact Element Designs for details. \*\*Backpainted glass has light gray backer.

#### None Customer Supplied / Other \_\_\_\_\_

Element Designs can install customer supplied inserts in frames, contact Sales for details.

Item	Qty	Dimensions <small>inch mm</small>		Left (L)	Right (R)	Up (U)	Drawer (D)	Panel (P)	# Hinge Bore per Door
		Width	Height						
1				L	R	U	D	P	
2				L	R	U	D	P	
3				L	R	U	D	P	
4				L	R	U	D	P	
5				L	R	U	D	P	
6				L	R	U	D	P	
7				L	R	U	D	P	
8				L	R	U	D	P	
9				L	R	U	D	P	
10				L	R	U	D	P	

Special Instructions:

## Email form to orders@element-designs.com

Date: \_\_\_\_\_ PO#: \_\_\_\_\_

Project Name: \_\_\_\_\_

Architect / Design Firm: \_\_\_\_\_

Installation Date: \_\_\_\_\_

### ④ Hinge Hardware Selection

**NICKEL FINISH:** QTY: \_\_\_\_\_

- Full Overlay (35mm cup)
  - Soft Close (71B3550)
  - Soft Close (C7P6AE9)
  - Self Close (71T5550)
  - Free Swing (70T3550)
  - Push2Open° (C2PPA99)

- Half Overlay (35mm cup)
  - Soft Close (71B3650)
  - Soft Close (C7P6GE9)
  - Self Close (71T5650)
  - Free Swing (70T3650)
  - Push2Open° (C2PPG99)

- Inset (35mm cup)
  - Soft Close (C7P6PE9)
  - Push2Open° (C2PPP99)

\* Requires Push Latch & Magnetic Catch Plate

**ONYX & TITANIUM FINISH:** QTY: \_\_\_\_\_

- Full Overlay (35mm cup)
  - Soft Close (71B3550 (ONS))
  - Soft Close (C7P6AE6)
  - Push2Open° (C2PPA66)

- Half Overlay (35mm cup)
  - Soft Close (71B3650 (ONS))
  - Soft Close (C7P6PE6)

- Inset (35mm cup)
  - Soft Close (C7P6PE6)
  - Push2Open° (C2PPP66)

**Hinge Mounting Plates:** 0mm (Blum 173H7100) QTY: \_\_\_\_\_  
 0mm (Salice BAR3R09) QTY: \_\_\_\_\_

**Include Tip On Hardware:** Yes QTY: \_\_\_\_\_

### ⑤ Decorative Hardware & Handles

Drill for handle holes (Must specify location on pg 2)

Pull QTY: \_\_\_\_\_ FINISH: \_\_\_\_\_

Natural Anodized & Coated		Stainless & BZM	Various Finishes
Knobs	Bar Pulls	Bar Pulls	Finger Pulls
K001	P1-127	P1-76S	P3-42
K005	P1-190	P1-192S	
K006	P1-250	P1-320S	
K007	P1-380	P1-76BZM	
K008	P1-640	P1-192BZM	
K009	P1-880	P1-320BZM	

# Hinge and Handle Specs

Line Item #(s) \_\_\_\_\_

Please make copy and fill out 1 sheet for each different boring pattern.

## Hinge Borings

X1 = \_\_\_\_\_ or B = \_\_\_\_\_ (std=6MM)  
(std=23.5mm / 0.925")

X2 TOP/LEFT = \_\_\_\_\_ (minimum=3")  
(std=3 1/2")

X2 BOTTOM/RIGHT = \_\_\_\_\_ (minimum=3")  
(std=3 1/2")

X3 = \_\_\_\_\_ (optional)      \*\* For equally spaced hinges,  
 please use "equal" or  
 X4 = \_\_\_\_\_ (optional)      "centered" to fill in the X3,  
 X5 = \_\_\_\_\_ (optional)      X4 and X5 fields

## Handle Borings

# of Holes: \_\_\_\_\_

K1 = \_\_\_\_\_ (Knob or Pull)  
(standard=centered on frame)

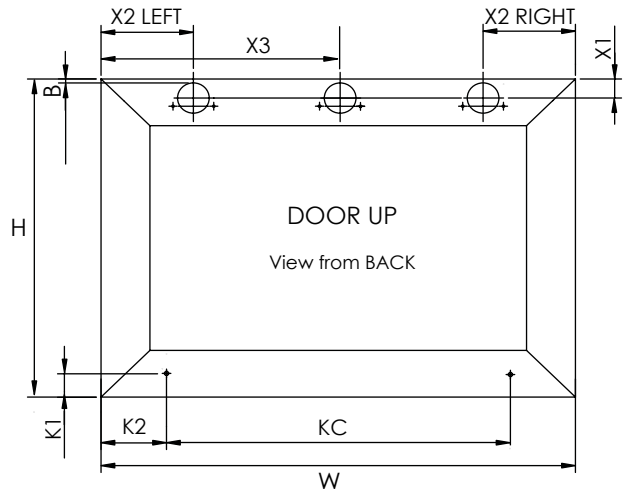
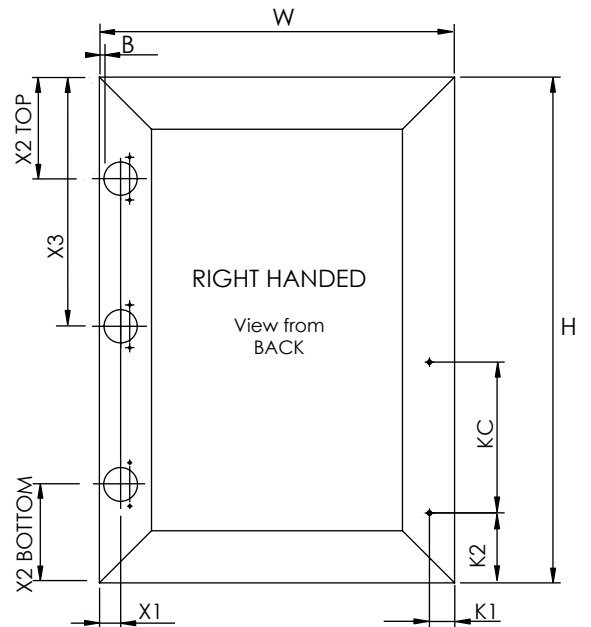
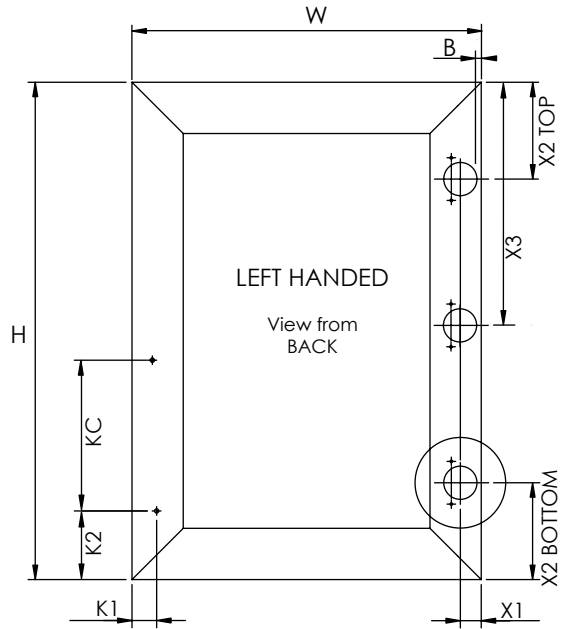
K2 = \_\_\_\_\_ (Knob or Pull)  
(Minimum=2 1/4") (standard=2 1/2")

KC = \_\_\_\_\_ (Pull only)  
(center to center distance)

Aluminum Handle Hole Diameter = 11/64" (4mm)

Glass Handle Hole Diameter = 5/16" (8mm)

Contact Element Designs for special hardware borings (e.g. lift-up systems)



## Hinge Boring Specs

