

# 18mm dECOLuxe Solid Acrylic

Quote  
 Order

Company: \_\_\_\_\_  
 Contact Name: \_\_\_\_\_  
 Address: \_\_\_\_\_  
 City / State / Zip: \_\_\_\_\_  
 Phone #: \_\_\_\_\_  
 Email: \_\_\_\_\_

**Email form to orders@element-designs.com**

Date: \_\_\_\_\_ PO#: \_\_\_\_\_

Project Name: \_\_\_\_\_

Architect / Design Firm: \_\_\_\_\_

Installation Date: \_\_\_\_\_

**① Color (select one)**

- |              |             |            |
|--------------|-------------|------------|
| alpine white | anthracite  | stone grey |
| white        | cobalt blue | light grey |
| stone grey   | black       |            |

**④ Hinge Hardware Selection**

<b>Full Overlay</b>	<b>Half Overlay</b>	<b>Inset</b>
<input type="checkbox"/> Soft Close (71B3550)	<input type="checkbox"/> Soft Close (71B3650)	<input type="checkbox"/> Soft Close (C7P6PE9)
<input type="checkbox"/> Self Close (71T5550)	<input type="checkbox"/> Self Close (71T5650)	<input type="checkbox"/> Push Open (C2PPP99)
<input type="checkbox"/> Free Swing (70T3550)	<input type="checkbox"/> Free Swing (70T3650)	

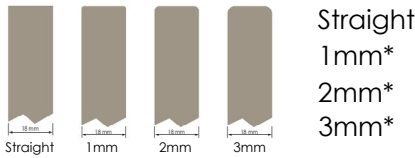
QTY: \_\_\_\_\_ Some hinge options available in Titanium finish, contact Element Designs for details

**Hinge Mounting Plates:**

0mm Do not include mounting plates

QTY: \_\_\_\_\_

**② Edge Radius (select one)**



(\*Available in 18mm ONLY - 4mm parapan will have straight edge)

**③ Integrated Pull\*\* (optional)**



(\*\*ONLY available in 18mm)

**⑤ Decorative Hardware & Handles**

Drill for handle holes (Must specify handle location on pg 2)

Natural Anodized		Brushed Stainless & ORB	Various Finishes
<b>Knobs</b>	<b>Bar Pulls</b>	<b>Bar Pulls</b>	<b>Finger Pulls</b>
<input type="checkbox"/> K001	<input type="checkbox"/> P1-127	<input type="checkbox"/> P1-76S	<input type="checkbox"/> P2-42N
<input type="checkbox"/> K005	<input type="checkbox"/> P1-190	<input type="checkbox"/> P1-192S	<input type="checkbox"/> P2-42S
<input type="checkbox"/> K006	<input type="checkbox"/> P1-250	<input type="checkbox"/> P1-320S	<input type="checkbox"/> P2-42BZM
<input type="checkbox"/> K007	<input type="checkbox"/> P1-380	<input type="checkbox"/> P1-76BZM	<input type="checkbox"/> P2-42CK
<input type="checkbox"/> K008	<input type="checkbox"/> P1-640	<input type="checkbox"/> P1-192BZM	<input type="checkbox"/> P2-42C
<input type="checkbox"/> K009	<input type="checkbox"/> P1-880	<input type="checkbox"/> P1-320BZM	<input type="checkbox"/> P2-42X
			<input type="checkbox"/> Other

QTY: \_\_\_\_\_

(for 4mm thickness, please fill out Cut-to-size Insert form\*)

Item	Qty.	Dimensions (Max. 38" x 117")		in. or mm	Left (L)	Right (R)	Up (U)	Drawer (D)	Panel (P)	# Hinge Bore per Door	Element Designs Use Only	
		Width	Height								Price	Ext. Price
1												
2												
3												
4												
5												
6												
7												
8												
9												
10												
11												
12												
13												
14												
15												
16												

Special Instructions:	Crating Fee:	
	Shipping:	
	<b>TOTAL:</b>	

# Hinge and Handle Specs

**Line Item #** \_\_\_\_\_ Please make copy and fill out 1 sheet for each different boring pattern.

## Hinge Borings

X1 = \_\_\_\_\_ (std=23.5mm) or B = \_\_\_\_\_ (std=6MM)

X2 TOP/LEFT = \_\_\_\_\_ (mini-std=3 1/2")

X2 BOTTOM/RIGHT = \_\_\_\_\_ (mini-std=3 1/2")

X3 = \_\_\_\_\_ (optional) \*\* For equally spaced hinges, please use "equal" or "centered" to fill in the X3, X4 and X5 fields

X4 = \_\_\_\_\_ (optional)

X5 = \_\_\_\_\_ (optional)

## Handle Borings

# of Holes: \_\_\_\_\_

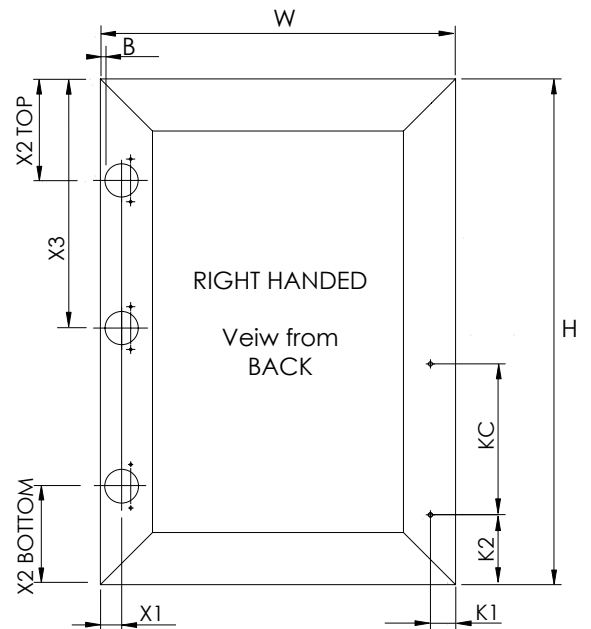
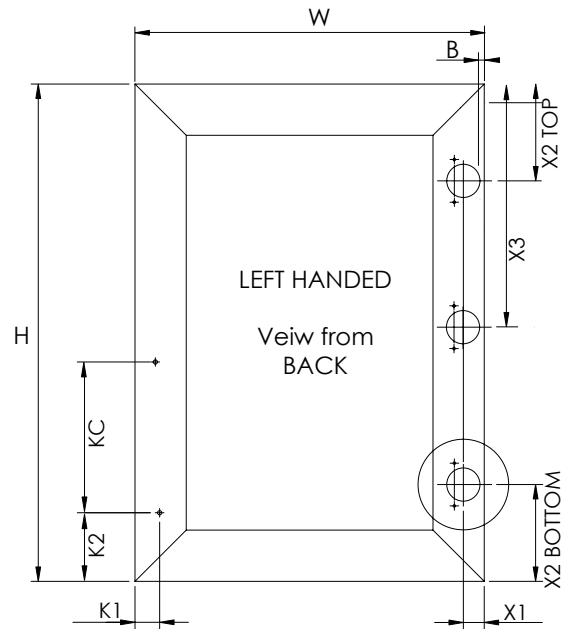
K1 = \_\_\_\_\_ (Knob or Pull) (standard=centered on)

K2 = \_\_\_\_\_ (Knob or Pull) (Minimum=2" (standard=2 1/2"))

KC = \_\_\_\_\_ (Pull only) (center to center)

Handle Hole Diameter = 11/64"

Contact Element Designs for special hardware borings (e.g. lift-up systems)



## Hinge Boring Specs

