

Company: _____

Contact Name: _____

Address: _____

City / State / Zip: _____

Phone #: _____

Email: _____

① Profile

AF001**, AF002, AF003, AF004, AF005, AF006*, AF007, AF008**, AF009, AF010*, AF014, AF015, AF016

*AF006 & AF010 available with opaque Backpainted Glass & Mirror inserts ONLY

** AF001, AF008 & AF016 are Narrow Profiles. Hinge fabrication must be done by Element Designs.

② Profile Finish

Anodized	Standard Coated	Specialty Coated
Natural (N)	Black (B)	Arctic Silver (AS)
Stainless (S)	Bronze Matte (BM)	Copper (CP)
Chrome* (C)	Chalk White Matte (CK)	Gold (GLD)
Brushed Black** (BB)	Onyx Black Matte (X)	Graphite (GR)
		Luxe Bronze (LB)
		Modern Brass (MB)

*AF003 & AF010 ONLY

**AF003 ONLY

[Use this link to order AF210](#)

③ Insert

All inserts are 5/32" (4mm). All glass is tempered safety glass & will not have etched tempered logo unless otherwise specified at time of order. Refer to local building codes.

Standard Glass

Satin (Acid Etched), Clear, Low-Iron Clear, Low-Iron Satin (Acid Etched), Lital D, Mirror, Reeded - Vertical, Reeded - Horizontal, Bronze Clear, Grey Clear

Premium Glass

Bronze Satin, Bronze Satin Mirror, Grey Satin, Grey Satin Mirror, Low-Iron Mirror, Low-Iron Satin Mirror

Gloss
Matte

Backpainted Glass** COLOR _____ FINISH _____

Aqua, Black, Blush, Bronze, Cream, Mist, Navy, Sand, Slate, White, Non-Standard, or Custom*

*Custom Color match approval & fee applies. Contact Element Designs for details. **Backpainted glass has light gray backer.

3form® Architectural Resin _____

Whisp Silver, Thatch*, Quattro Carbon, Linea Ivory*, Fossil Leaf, Struck Pure, Starcrossed Shadow, Swept Silver*, Swept Gold*, Strand Iron*, Kathali Greys*, Weld Silver*, Mari Seamless, Ensign*, Glint Gold*

Metallics & decoLEATHER _____

Aluminum Laminate, Stainless Lam. Vertical, Stainless Lam. Horizontal, Platinum Ice Acrylic, Coal Buffalo Leather, Grey Thunder Buffalo Leather, Antique Brown Walrus Leather

dECoLux Solid Acrylic _____

None Customer Supplied / Other _____

Element Designs can install customer supplied inserts in frames, contact Sales for details.

Item	Qty	Dimensions		Left (L)	Right (R)	Up (U)	Drawer (D)	Panel (P)	# Hinge Bore per Door
		Width	Height						
1				L	R	U	D	P	
2				L	R	U	D	P	
3				L	R	U	D	P	
4				L	R	U	D	P	
5				L	R	U	D	P	
6				L	R	U	D	P	
7				L	R	U	D	P	
8				L	R	U	D	P	
9				L	R	U	D	P	
10				L	R	U	D	P	

Special Instructions:

Email form to orders@element-designs.com

Date: _____ PO#: _____

Project Name: _____

Architect / Design Firm: _____

Installation Date: _____

④ Hinge Hardware Selection

NICKEL FINISH Wide Frame:

QTY: _____

Full Overlay (35mm cup)
Soft Close (71B3550)
Soft Close (C7P6AE9)
Self Close (71T5550)
Free Swing (70T3550)
Push2Open° (C2PPA99)

Half Overlay (35mm cup)
Soft Close (71B3650)
Soft Close (C7P6GE9)
Self Close (71T5650)
Free Swing (70T3650)
Push2Open° (C2PPG99)

Inset (35mm cup)
Soft Close (C7P6PE9)
Push2Open° (C2PPP99)

° Requires Push Latch & Magnetic Catch Plate

NICKEL FINISH Narrow Frame*:

QTY: _____ *ONLY AF001 & AF008

Full Overlay (Narrow)
15mm Soft Close** (71B950A)
19mm Soft Close* (C1Z6AE9)
15mm Self Close (73T550A)
17mm Self Close (71T950A)
19mm Self-Close (C2Z6A99)
15mm Free Swing (72T550A)
19mm Push2Open° (C2ZPA99)

Half Overlay (Narrow)
6.5mm Soft Close** (71B960A)
10mm Soft Close* (C1Z6GE9)

Inset (Narrow)
Soft Close** (C1Z6PE9)
Push2Open° (C2ZPP99)

*Requires D1Z6HSK hinge cover cap, will be visible with translucent inserts, can be coated to match frame finish

**Nickel hinge cup will be visible with translucent inserts

ONYX & TITANIUM FINISH

Wide Frame:

QTY: _____

Full Overlay (35mm cup)
Soft Close (71B3550 (ONS))
Soft Close (C7P6AE6)
Push2Open° (C2PPA66)

Half Overlay (35mm cup)
Soft Close (71B3650 (ONS))
Soft Close (C7P6PE6)

Inset (35mm cup)
Soft Close (C7P6PE6)
Push2Open° (C2PPP66)

Narrow Frame*:

QTY: _____ *ONLY AF001 & AF008

Full Overlay (Narrow)
17mm Self Close (71T950A (ONS))
19mm Self Close (C2Z6A99)

Inset (Narrow)
Push2Open° (C2ZPP66)

° Requires Push Latch & Magnetic Catch Plate

Hinge Mounting Plates: 0mm (Blum 173H7100) QTY: _____
0mm (Salice BAR3R09)

Include Tip On Hardware: Yes QTY: _____

⑤ Decorative Hardware & Handles

Drill for handle holes (Must specify location on pg 2)

Pull QTY: _____ FINISH: _____

Natural Anodized & Coated Knobs		Stainless & BZM Bar Pulls	Various Finishes Finger Pulls
K001	P1-127	P1-76S	P3-42
K005	P1-190	P1-192S	Installation (Select One)
K006	P1-250	P1-320S	Surface Mount
K007	P1-380	P1-76BZM	Flush Mount
K008	P1-640	P1-192BZM	not available with AF010
K009	P1-880	P1-320BZM	Recessed Pulls
			R1-96
			R1-160

Hinge and Handle Specs

Line Item #(s) _____

Please make copy and fill out 1 sheet for each different boring pattern.

Hinge Borings

X1 = _____ or B = _____ (std=6MM)
(std=23.5mm / 0.925")

X2 TOP/LEFT = _____ (minimum=3")
(std=3 1/2")

X2 BOTTOM/RIGHT = _____ (minimum=3")
(std=3 1/2")

X3 = _____ (optional) ** For equally spaced hinges,
 please use "equal" or
 X4 = _____ (optional) "centered" to fill in the X3,
 X4 and X5 fields

X5 = _____ (optional)

Handle Borings

of Holes: _____

K1 = _____ (Knob or Pull)
(standard=centered on frame)

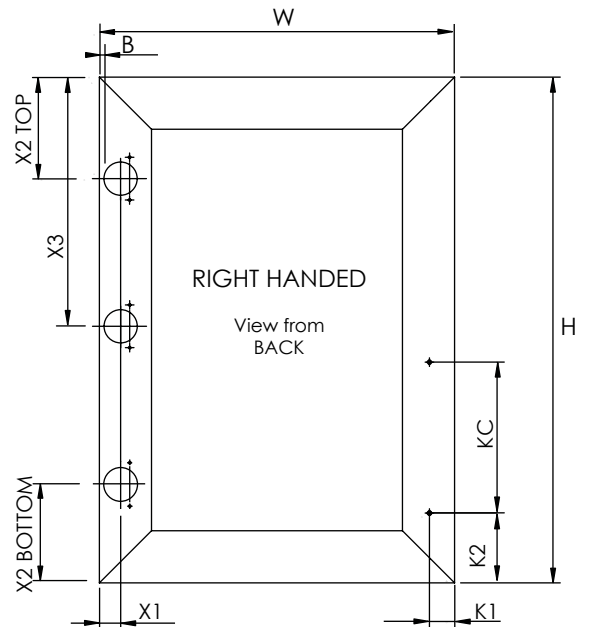
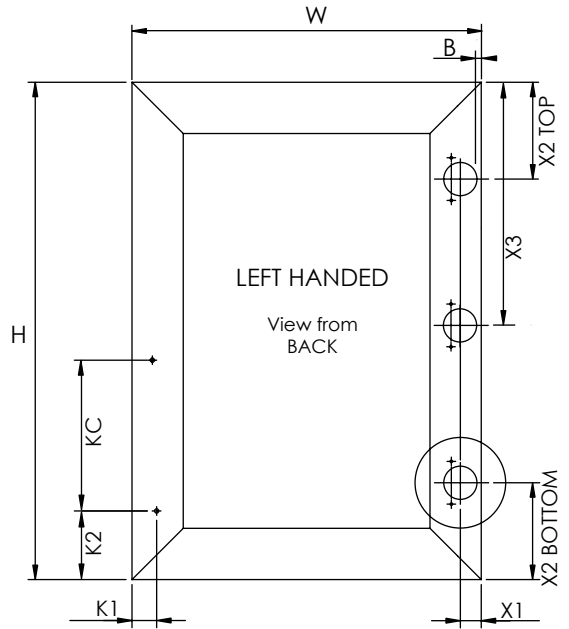
K2 = _____ (Knob or Pull)
(Minimum=2 1/4") (standard=2 1/2")

KC = _____ (Pull only)
(center to center distance)

Aluminum Handle Hole Diameter = 11/64" (4mm)

Glass Handle Hole Diameter = 5/16" (8mm)

Contact Element Designs for special hardware borings (e.g. lift-up systems)



Hinge Boring Specs

