

Company: \_\_\_\_\_

Contact Name: \_\_\_\_\_

Address: \_\_\_\_\_

City / State / Zip: \_\_\_\_\_

Phone #: \_\_\_\_\_

Email: \_\_\_\_\_

**Email form to orders@element-designs.com**

Date: \_\_\_\_\_ PO#: \_\_\_\_\_

Project Name: \_\_\_\_\_

Architect / Design Firm: \_\_\_\_\_

Installation Date: \_\_\_\_\_

### 1 Profile Type

- AF006 Available ONLY with opaque Backpainted Glass
- AF010

### 2 Profile Finish

#### • Anodized Finish

- Natural Anodized
- Brushed Stainless
- Chrome (AF010 ONLY)

#### • Coated Finish

- Bronze Matte
- Chalk Copper
- Onyx Gold
- Arctic Silver Graphite
- Luxe Bronze
- Modern Brass

Please contact Element Designs for Sliding Doors and Aventos Door applications

### 3 Glass Type (select one) all inserts are 5/32" (4mm)

- Low-Iron Satin (Acid Etched) Low-Iron Clear
- Bronze Satin Bronze Clear
- Grey Satin Grey Clear

- Matte side facing in for satin glass unless otherwise specified
- \* Grey and Bronze glass tint may affect painted border color

### 4 Glass Finish (select one)

- Gloss Matte
- All glass is tempered safety glass & will not have etched tempered logo unless otherwise specified at time of order. Refer to local building codes

### 5 Border Options

#### Paint Color

- White Blush Cream
- Black Navy Bronze
- Sand Mist Slate

Non-Standard Color: \_\_\_\_\_

Custom Color\*: \_\_\_\_\_

\*Custom Color match approval & fee applies. Contact Element Designs for details.  
\*\*Backpainted glass has a light gray backer, unless otherwise specified

#### Border Dimension

- Standard painted border = 2 1/4" from edge of glass
- Custom painted borders widths are possible, please submit drawing of design. Minimum border dimension is 2 1/4" from edge of glass

### 6 Hinge Hardware Selection

#### Wide Frame:

QTY: \_\_\_\_\_

Full Overlay (35mm cup) Half Overlay (35mm cup)

- Soft Close (71B3550) Soft Close (71B3650)
- Self Close (71T5550) Self Close (71T5650)
- Free Swing (70T3850) Free Swing (70T3650)

Hinge Mounting Plates: QTY: \_\_\_\_\_

- 0mm Do not include mounting plates

Include Tip On Hardware: Yes QTY: \_\_\_\_\_

### 7 Decorative Hardware & Handles

Drill for handle holes (Must specify handle location on pg 2)

Natural Anodized		Brushed Stainless & ORB	Various Finishes
Knobs	Bar Pulls	Bar Pulls	Finger Pulls
K001	P1-127	P1-76S	P3-42
K005	P1-190	P1-192S	P3-42S
K006	P1-250	P1-320S	P3-42ORB
K007	P1-380	P1-76ORB	P3-42W
K008	P1-640	P1-192ORB	P3-42B
K009	P1-880	P1-320ORB	P3-42X
			Other

QTY: \_\_\_\_\_

Item	Qty	Dimensions		in OR mm	Left (L)	Right (R)	Up (U)	Drawer (D)	Panel (P)	# Hinge Bore per Door	Price	Ext. Price
		Width	Height									
1					L	R	U	D	P			
2					L	R	U	D	P			
3					L	R	U	D	P			
4					L	R	U	D	P			
5					L	R	U	D	P			
6					L	R	U	D	P			
7					L	R	U	D	P			
8					L	R	U	D	P			
9					L	R	U	D	P			
10					L	R	U	D	P			
11					L	R	U	D	P			
12					L	R	U	D	P			

Special Instructions:

Knobs/Pulls:	
Hardware:	
Shipping:	
<b>TOTAL:</b>	

# Hinge and Handle Specs

Line Item #(s) \_\_\_\_\_

Please make copy and fill out 1 sheet for each different boring pattern.

## Hinge Borings

X1 = \_\_\_\_\_ or B = \_\_\_\_\_ (std=6MM)  
(std=23.5mm / 0.925")

X2 TOP/LEFT = \_\_\_\_\_ (minimum=3")  
(std=3 1/2")

X2 BOTTOM/RIGHT = \_\_\_\_\_ (minimum=3")  
(std=3 1/2")

X3 = \_\_\_\_\_ (optional)      \*\* For equally spaced hinges,  
 please use "equal" or  
 X4 = \_\_\_\_\_ (optional)      "centered" to fill in the X3,  
 X4 and X5 fields

X5 = \_\_\_\_\_ (optional)

## Handle Borings

# of Holes: \_\_\_\_\_

K1 = \_\_\_\_\_ (Knob or Pull)  
(standard=centered on frame)

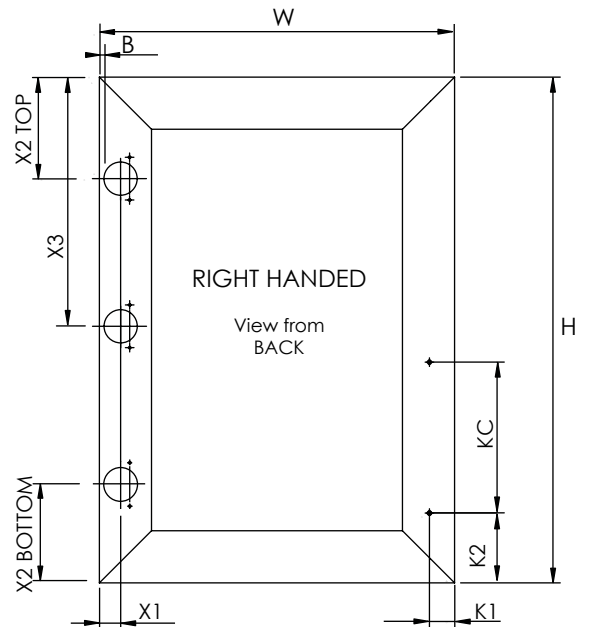
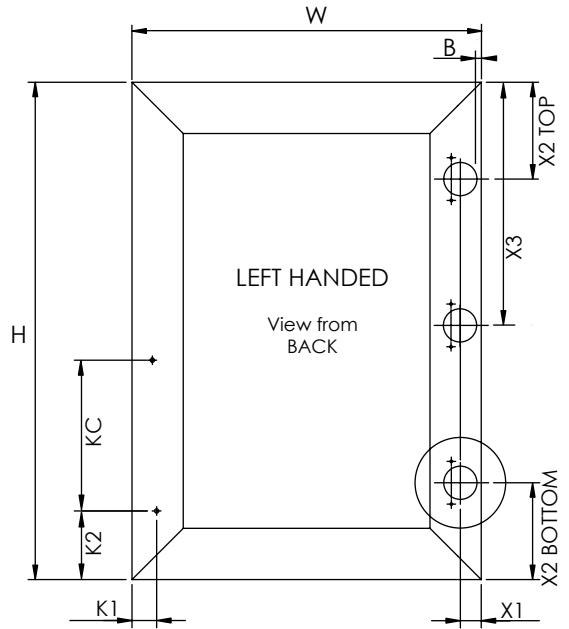
K2 = \_\_\_\_\_ (Knob or Pull)  
(Minimum=2 1/4") (standard=2 1/2")

KC = \_\_\_\_\_ (Pull only)  
(center to center distance)

Aluminum Handle Hole Diameter = 11/64" (4mm)

Glass Handle Hole Diameter = 5/16" (8mm)

Contact Element Designs for special hardware borings (e.g. lift-up systems)



## Hinge Boring Specs

