

Company: _____
 Contact Name: _____
 Address: _____
 City / State / Zip: _____
 Phone #: _____
 Email: _____

Email form to your authorized distributor:

Authorized Distributor: _____
 Branch Location: _____
 Email: _____
 Project Name: _____
 Date: _____ PO #: _____

Finish Options: Clear Anodized (N), Stainless Bronze Anodized (SB), Stainless Nickel Anodized (SN)
 White Powder Coat (W), Oil Rubbed Bronze Powder Coat (ORB), Onyx Powder Coat (X), Black Powder Coat (B)

Part Number & Description	Qty	Length* 96" or 120"	Finish N, SB, SN, W, ORB, X, B	Unit Price	Subtotal
GC-8006 J-Shape Horizontal Channel					
GC-AG8006 J-Shape Internal Corner Connector		N/A			
GC-SG8006 J-Shape External Corner Connector		N/A			
GC-CF8006TP J-Shape Open End Cap (pair)		N/A			
GC-CF8006TPC J-Shape Closed End Cap (pair)		N/A			
GC-8007 C-Shape Horizontal Channel					
GC-AG8007 C-Shape Internal Corner Connector		N/A			
GC-SG8007 C-Shape External Corner Connector		N/A			
GC-CF8007TP C-Shape Open End Cap (pair)		N/A			
GC-CF8007TPC C-Shape Closed End Cap (pair)		N/A			
GC-1730 Upper Cabinet Channel <small>(not available in SB or SN finishes)</small>					
GC-8074 Vertical Channel - SINGLE <small>(not available in 120" length)</small>					
GC-8059 Vertical Channel - DOUBLE <small>(not available in 120" length)</small>					
GC-SU116 J or C Support, Red Plastic, SCREW-ON (pair)		N/A	N/A		
GC-SU136 J or C Support, Red Plastic, DOWEL (pair)		N/A	N/A		

Please note the Clear Anodized & Stainless Anodized finishes are not exact matches to Element Designs' aluminum door finishes.

*Shipping and packaging charges will be higher for 120" (3048mm) length due to oversized tube shipping fees.


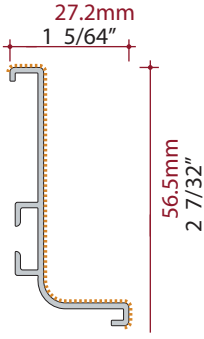

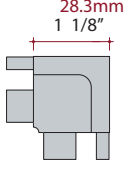

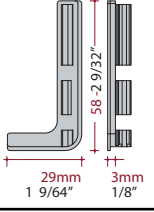

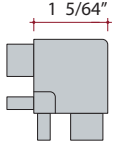

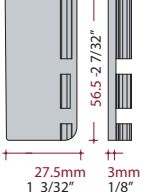
Cut to Size and longer lengths available, please contact Element Designs for details.

Special Instructions:

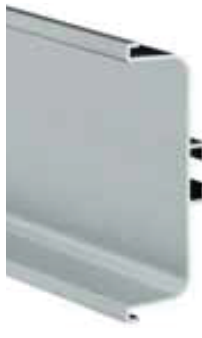
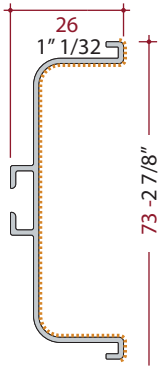

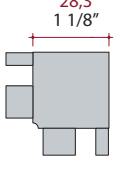

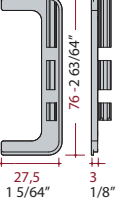

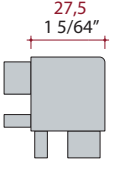

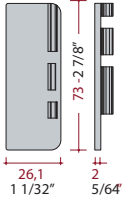
Subtotal:	
Packaging:	
Shipping:	
TOTAL:	

GOLA Channel Hardware


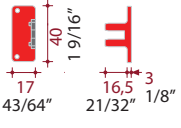

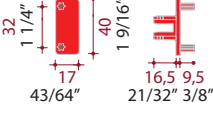
Base Cabinet J-Shape GOLA Profile

8006  	AG8006  	CF8006TP  
	SG8006  	CF8006TPC  


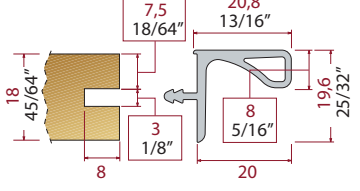
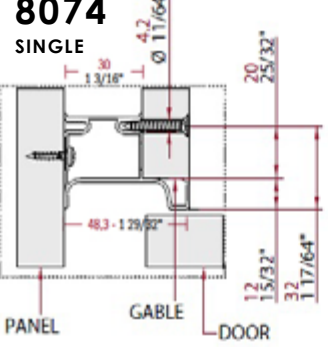
Base Cabinet C-Shape GOLA Profile

8007  	AG8007  	AG8007TP  
	SG8007  	AG8007TPC  

Support Brackets for J-Shape and C-Shape GOLA Profile

SU116 (screw-on)  	SU136 (dowel)  
--	---

Upper Cabinet or Vertical Channel GOLA Profile

1730 Upper Cabinet / Horizontal Installation  	Vertical Installation	
	8074 SINGLE 	8059 DOUBLE 