

Company: \_\_\_\_\_  
 Contact Name: \_\_\_\_\_  
 Address: \_\_\_\_\_  
 City / State / Zip: \_\_\_\_\_  
 Phone #: \_\_\_\_\_  
 Email: \_\_\_\_\_

**Email (or fax) form to your authorized distributor:**

Authorized Distributor: \_\_\_\_\_  
 Branch Location: \_\_\_\_\_  
 Email / Fax: \_\_\_\_\_  
 Project Name: \_\_\_\_\_  
 Date: \_\_\_\_\_ PO #: \_\_\_\_\_

① **Thickness (select one)**      18mm      4mm

② **Color (select one)**

- |                     |                     |                   |
|---------------------|---------------------|-------------------|
| alpine white - 5910 | bordeaux - 5600     | brown - 5776      |
| white - 5907        | oxide red - 5771    | black - 5299      |
| opal white - 5196   | signal red** - 5655 | light grey - 5290 |
| latte - 5772        | orange - 5570       | stone grey - 5295 |
| mint - 5421         | turquoise** - 5471  | cappuccino - 5773 |
| cobalt blue - 5380  | kiwi - 5440         |                   |
| anthracite* - 5297  |                     |                   |
- \*\*ONLY available in 4mm (signal red, turquoise)  
 \*ONLY available in 18mm (anthracite)

⑤ **Hinge Hardware Selection**

Full Overlay (35mm cup)      Half Overlay (35mm cup)

Soft Close (71B3550)       Soft Close (71B3650)

Self Close (71T5550)       Self Close (71T5650)

Free Swing (70T3580)       Free Swing (70T3650)

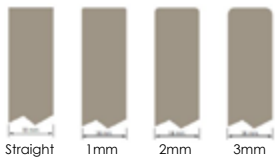
QTY: \_\_\_\_\_

**Hinge Mounting Plates:**

0mm       Do not include mounting plates

QTY: \_\_\_\_\_

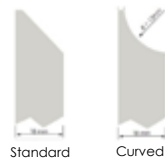
③ **Edge Radius (select one)**



Straight  
1mm\*  
2mm\*  
3mm\*

(\*Available in 18mm ONLY - 4mm parapan will have straight edge)

④ **Integrated Pull\*\* (optional)**



Standard  
Curved  
NONE

(\*\*ONLY available in 18mm)

⑥ **Decorative Hardware & Handles**

Drill for handle holes (Must specify handle location on pg 2)

Natural Anodized		Brushed Stainless & ORB	Various Finishes
<b>Knobs</b>	<b>Bar Pulls</b>	<b>Bar Pulls</b>	<b>Finger Pulls</b>
<input type="checkbox"/> K001	<input type="checkbox"/> P1-127	<input type="checkbox"/> P1-76S	<input type="checkbox"/> P2-42
<input type="checkbox"/> K005	<input type="checkbox"/> P1-190	<input type="checkbox"/> P1-192S	<input type="checkbox"/> P2-42S
<input type="checkbox"/> K006	<input type="checkbox"/> P1-250	<input type="checkbox"/> P1-320S	<input type="checkbox"/> P2-42ORB
<input type="checkbox"/> K007	<input type="checkbox"/> P1-380	<input type="checkbox"/> P1-76ORB	<input type="checkbox"/> P2-42W
<input type="checkbox"/> K008	<input type="checkbox"/> P1-640	<input type="checkbox"/> P1-192ORB	<input type="checkbox"/> P2-42B
<input type="checkbox"/> K009	<input type="checkbox"/> P1-880	<input type="checkbox"/> P1-320ORB	<input type="checkbox"/> P2-42X
QTY: _____			<input type="checkbox"/> Other

Item	Qty.	Dimensions (Max. 39" x 118")		in. or mm	Left (L)	Right (R)	Up (U)	Drawer (D)	Panel (P)	# Hinge Bore per Door	Element Designs Use Only	
		Width	Height								Price	Ext. Price
1												
2												
3												
4												
5												
6												
7												
8												
9												
10												
11												
12												
13												
14												
15												
16												

Special Instructions: \_\_\_\_\_

Crating Fee: \_\_\_\_\_

Shipping: \_\_\_\_\_

**TOTAL:** \_\_\_\_\_

# Hinge and Handle Specs

**Line Item #** \_\_\_\_\_ Please make copy and fill out 1 sheet for each different boring pattern.

## Hinge Borings

X1 = \_\_\_\_\_ (std=23.5mm) or B = \_\_\_\_\_ (std=6MM)

X2 TOP/LEFT = \_\_\_\_\_ (mini-std=3 1/2")

X2 BOTTOM/RIGHT = \_\_\_\_\_ (mini-std=3 1/2")

X3 = \_\_\_\_\_ (optional) \*\* For equally spaced hinges, please use "equal" or "centered" to fill in the X3, X4 and X5 fields

X4 = \_\_\_\_\_ (optional)

X5 = \_\_\_\_\_ (optional)

## Handle Borings

# of Holes: \_\_\_\_\_

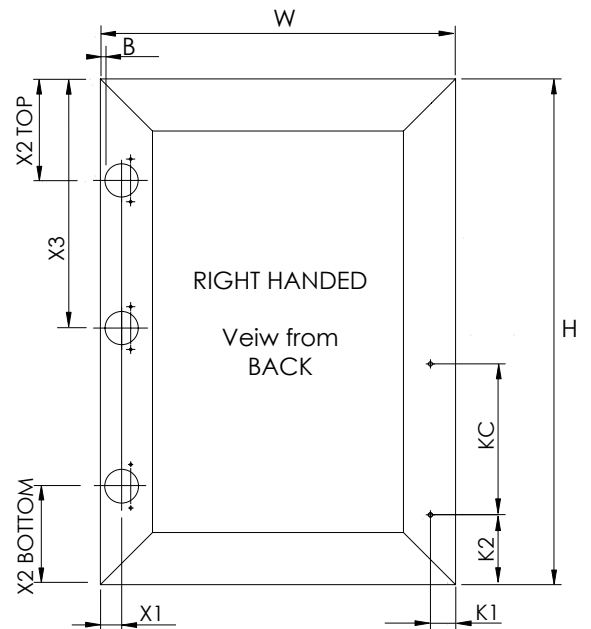
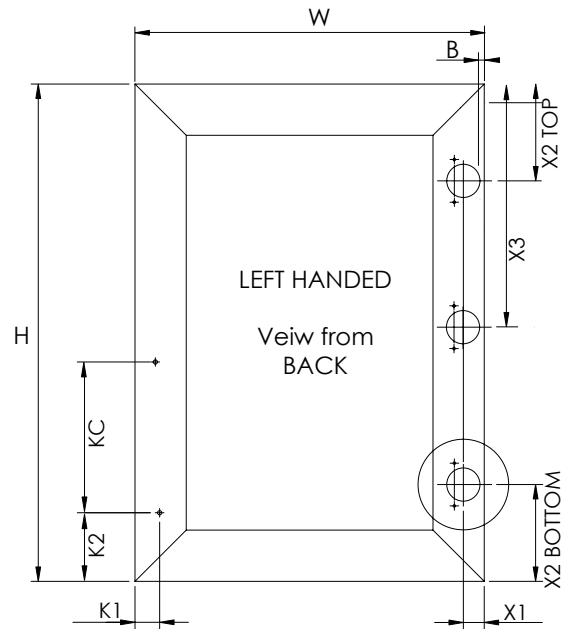
K1 = \_\_\_\_\_ (Knob or Pull) (standard=centered on)

K2 = \_\_\_\_\_ (Knob or Pull) (Minimum=2 (standard=2 1/2"))

KC = \_\_\_\_\_ (Pull only) (center to center)

Handle Hole Diameter = 11/64"

Contact Element Designs for special hardware borings (e.g. lift-up systems)



## Hinge Boring Specs

