

Company: _____
 Contact Name: _____
 Address: _____
 City / State / Zip: _____
 Phone #: _____
 Email: _____

Email (or fax) form to your authorized distributor:
 Authorized Distributor: _____
 Branch Location: _____
 Email / Fax: _____
 Project Name: _____
 Date: _____ PO #: _____

① Glass Type

- 6mm Low-Iron Satin* (Acid Etched)
- 6mm Low-Iron Clear
- 6mm Satin* (Acid Etched) *Satin side facing out
- 6mm Clear
- 6mm Grey Clear
- 6mm Grey Reflective
- 6mm Bronze Clear
- 6mm Bronze Reflective

All glass will have a Flat Edge Polish

② Hinge Hardware

71B4500C Soft Close Hinge with hinge arm cover always included
 See page 2 for cabinet mounting plate setback calculations

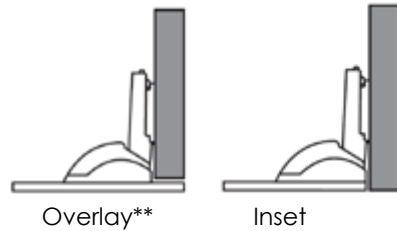
- In-Line 0mm Hinge plate 175H3100
- Wing 0mm Hinge plate 173H7100

QTY: _____

Include TIP-ON for doors

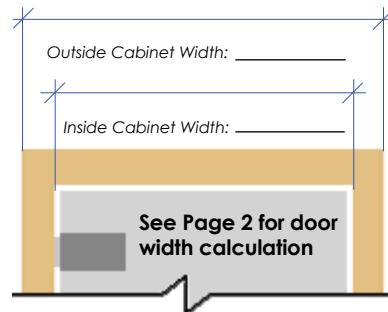
QTY: _____

③ Door Installation



****Must provide Side Overlay dimension, see Page 2 for calculation**

Side Overlay: _____ mm
 (Maximum overlay is 14 mm)



④ Handle Fabrication

- Do not include
- 1 hole per door*
- 2 holes per door*
- Other*: _____

***Must provide Handle dimension on page 2**

Handle grommets included with handle holes must be installed with handle hardware

⑤ Handle Hardware

Knobs	Natural Anodized		Brushed Stainless & ORB	
	Bar Pulls	Bar Pulls	Bar Pulls	Bar Pulls
K001	P1-127		P1-76S	
K005	P1-190		P1-192S	
K006	P1-250		P1-320S	
K007	P1-380		P1-76ORB	
K008	P1-640		P1-192ORB	
K009	P1-880		P1-320ORB	

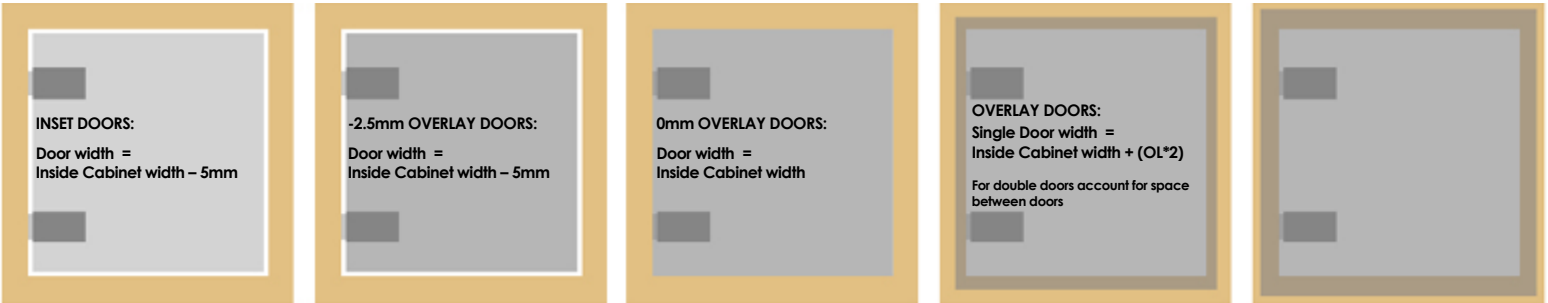
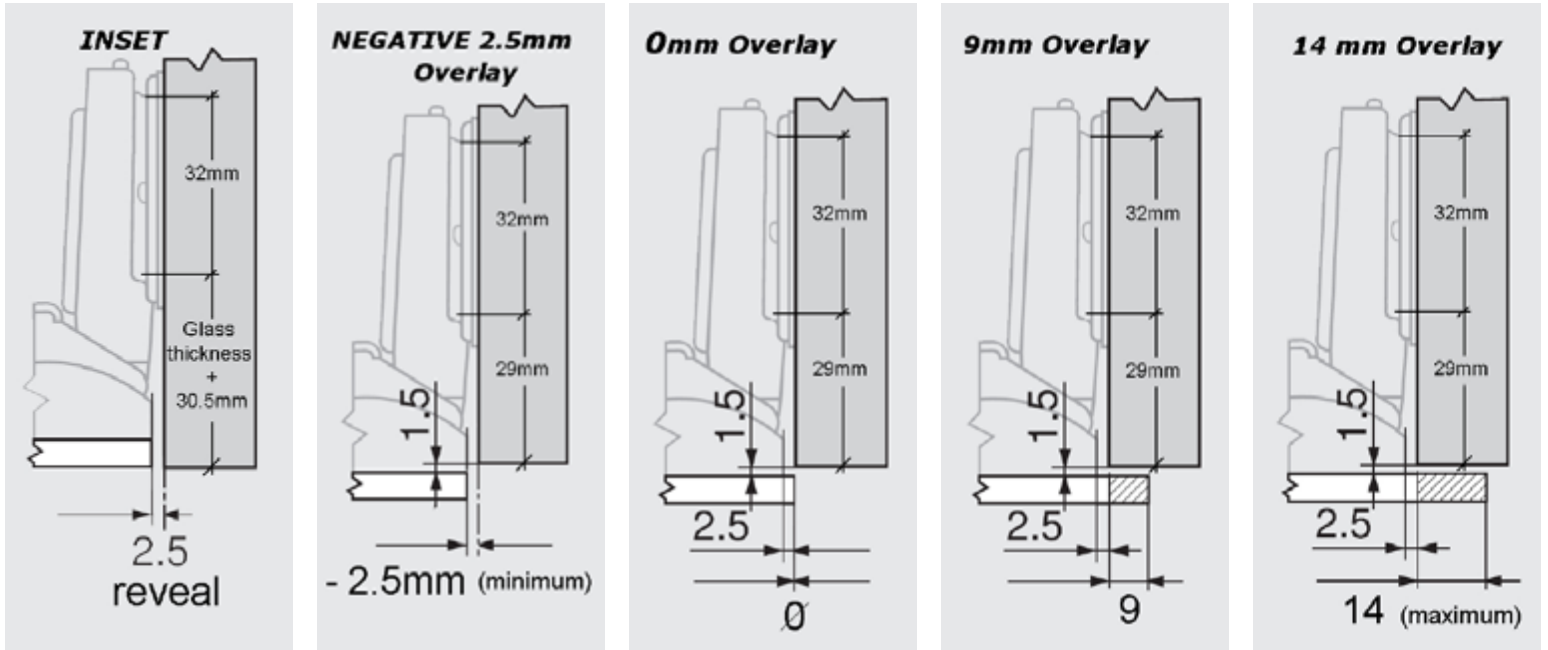
QTY: _____

Item	Qty	Dimensions		in OR mm	Left (L)	Right (R)	# Hinges per Door	Element Designs Use Only	
		Width	Height					Price	Ext. Price
1					L	R			
2					L	R			
3					L	R			
4					L	R			
5					L	R			
6					L	R			
7					L	R			
8					L	R			

Special Instructions:	Knobs/Pulls:	
	Hardware:	
	Shipping:	
	TOTAL:	

Overlay Dimension Examples:

29 mm hinge plate set back dimension calculated for using 175H3100 in-line mounting plate - will not match standard 37mm system mounting plate drilling



Hinge and Handle Dimension Locations:

