



Sliding Door Systems

- High quality sliding door systems for closets, pantries, cabinets and more
- All doors are produced to our customers' exact specifications with a +/- 1/32" tolerance using specialized manufacturing equipment
- Sliding hardware comes pre-installed on the door (when possible)
- Sliding door rails and guides available in cut-to-length pieces for ease of installation
- Large sliding doors can be used in floor to ceiling applications, and can also be inset into casework
- Quick lead times
- No minimum order quantities
- Made in the USA - Our products are proudly made and assembled in the USA using domestic material suppliers





AF011 aluminum frame doors, natural aluminum finish, clear glass inserts with custom etched design, with DN 80 CF sliding system.

Element Designs can provide complete sliding door systems which include our aluminum frame or PARAPAN® panels and sliding door hardware in one easy to order kit based on your specific requirements. Our smooth and quiet sliding door systems can be used in closet door, pantry and cabinetry sliding door applications where quality and durability are essential.

Sliding door systems can be fully customized with your choice of profile and insert options to coordinate with any interior. Our top sliding and floor sliding hardware options fit most sliding door requirements and work in either overlay or inset applications.

Sliding hardware
brought to you by





AF003 aluminum frame doors, natural aluminum finish with 3Form bear grass inserts, AF006 aluminum frame doors with olive gloss backpainted glass inserts. Image courtesy of Elmwood Fine Custom Cabinetry and Innovative Kitchen Design.



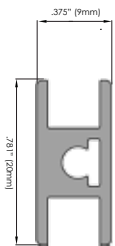
AF004 aluminum frame doors, white matte backpainted glass inserts, with SH 7035 system.

Element Designs' aluminum frame small sliding doors are a functional and space saving way to add modern design elements to cabinet and furniture applications. Sliding doors in cabinetry applications allow for full accessibility to cabinets where hinged doors are not an option. The high quality hardware used in our sliding door systems provides smooth operating components for all types of small sliding door applications.

The simple to use sliding hardware systems enable the sliding doors to be mounted in both inset and overlay sliding applications for your different design needs.

Divider Rail

- Divider rails can be used with large sliding doors to provide additional design options
- Contact Element Designs for panel height and width limitations with integrated divider rails
- Multiple inserts may be used per door with divider rail
- Rail measures 25/32" (20mm) wide
- For use with the following profiles:



- AF001
- AF003
- AF005
- AF007
- AF009
- AF011



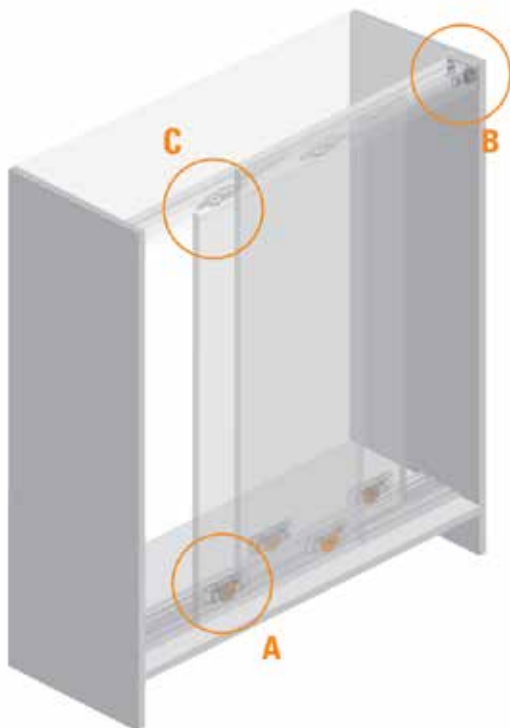
AF003 aluminum frame doors, brushed stainless finish with mocha backpainted glass and 3Form bear grass inserts. Image courtesy of Elmwood Fine Custom Cabinetry and Innovative Kitchen Design.



CD 50 E

Design Guidelines:

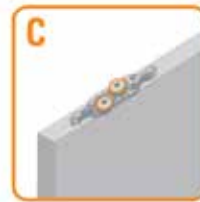
- Floor Sliding System, top guide and bottom track
- Floor to ceiling and inset casework applications
- Multiple planes of travel
- Inset or surface mount track
- Doors weighing up to 110 lbs
- Soft close mechanisms available
- Reference Sliding Systems At A Glance for maximum door dimensions



Bottom Load Bearing
Roller System
(2 per door - preinstalled)



Adjustable Position
Door Stops



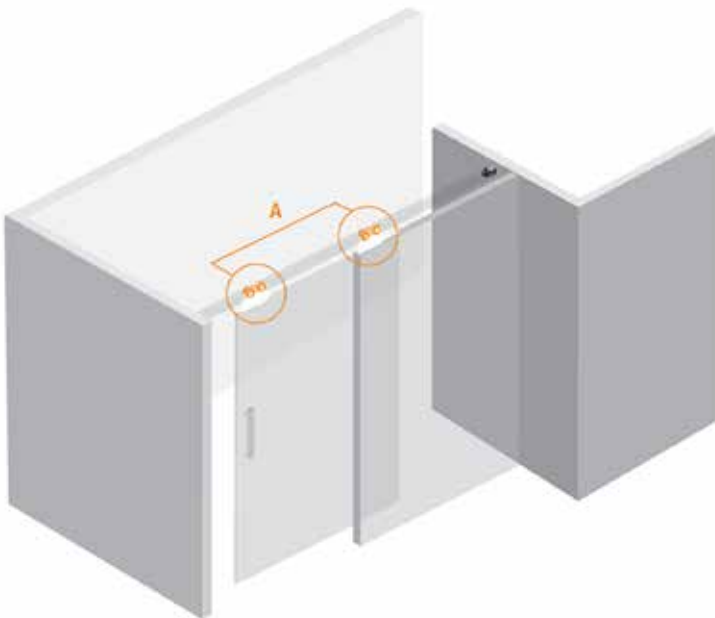
Top Door Guides
(2 per door)



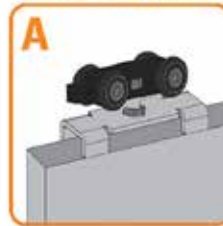
DN 80 CF

Design Guidelines:

- Top Sliding System, top track with floor guides
- Floor to ceiling, inset casework, & barn door applications
- Recommended for use with one or two planes of travel
- Doors weighing up to 176 lbs
- Soft close mechanisms available
- Reference Sliding Systems At A Glance for maximum door dimensions



DN 80 CF System

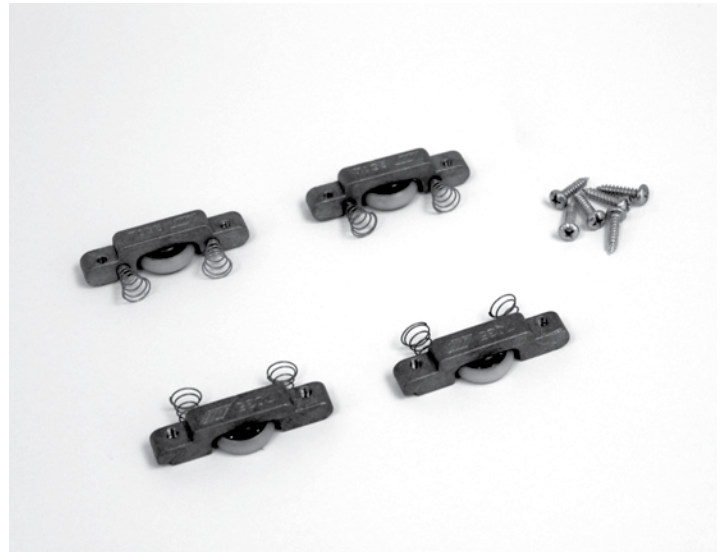


Top Load Bearing Carriers
(2 per door - preinstalled)

Adjustable Position Door Stops



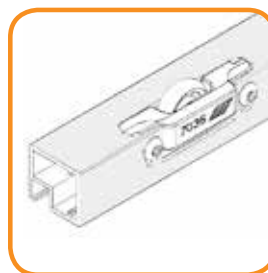
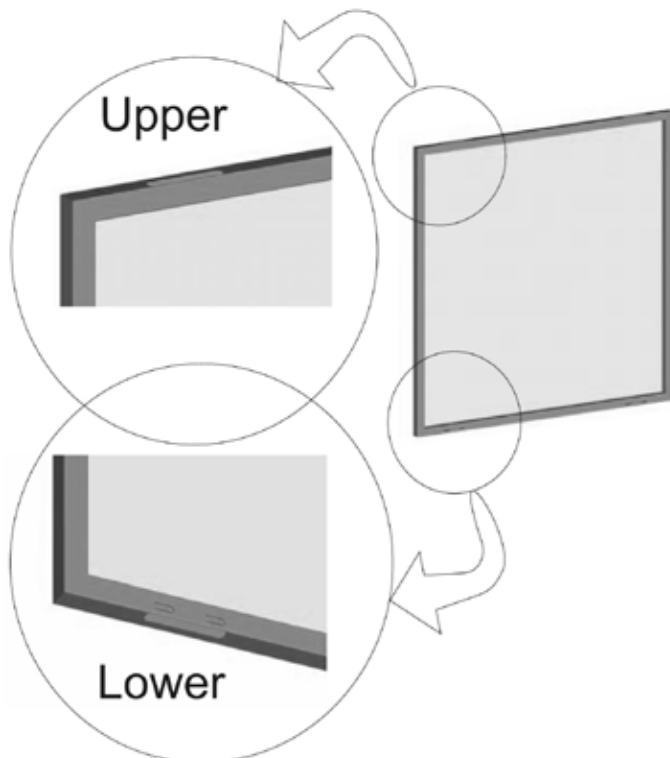
- Doors weighing up to 33 lbs



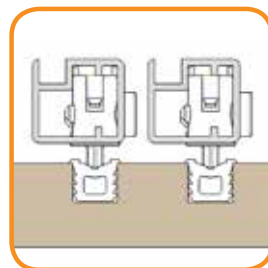
SH 7035

Design Guidelines:

- Small Sliding System, top and bottom track
- Multiple planes of travel
- Inset or overlay track
- Reference Sliding Systems At A Glance for maximum door dimensions



Small Door Carriers
(4 per door - preinstalled)



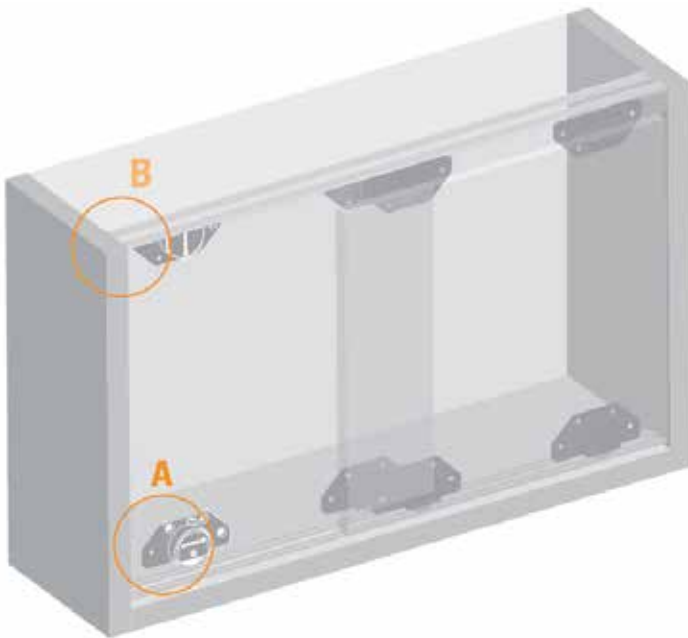
Inset Track
Up to 140"



CD 30 CX

Design Guidelines:

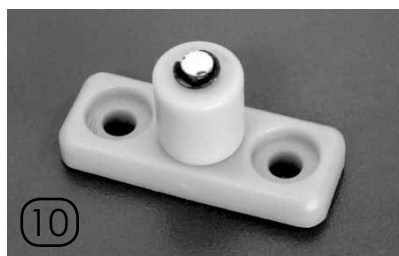
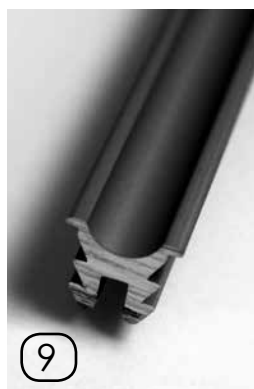
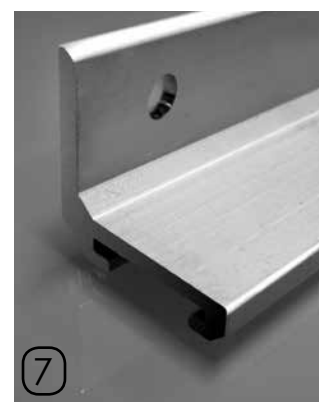
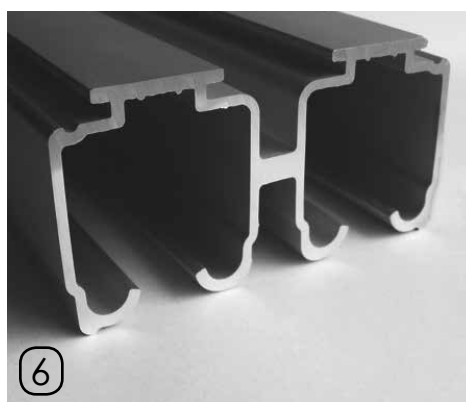
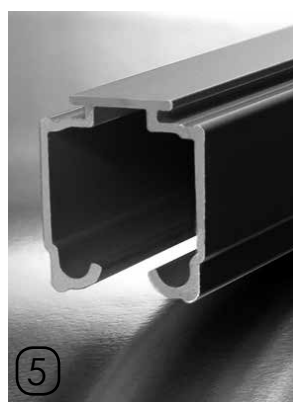
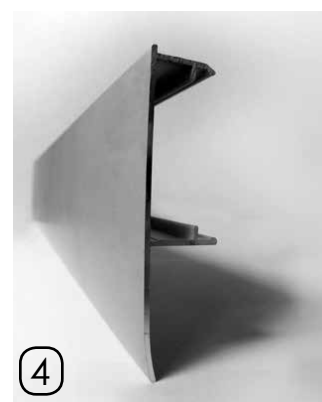
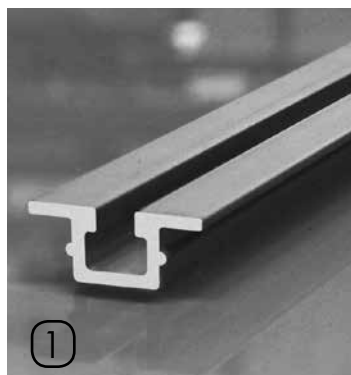
- Small Sliding System, top and bottom track
- Single or by-pass sliding doors, with surface mount or inset track.
- Reference Sliding Systems At A Glance for maximum door dimensions
- Doors weighing up to 66 lbs



Small Door Carriers
(4 per door - preinstalled)



Inset Track



- 1) Inset Single Track (021CXE)
- 2) Surface Mount Single Track (021CX)
- 3) Surface Mount Double Track (021CXD)
- 4) Top Hanging Fascia (U21 66)
- 5) Top Hanging Single Track (U21)
- 6) Top Hanging Double Track (U21 DBL)
- 7) Lateral Wall Bracket (023BRAU21)
- 8) Top Guide Double (GO22)
- 9) 7035 Inset Single Track
- 10) Round Floor Guide (GPR1150)
- 11) 'L' Bracket Floor Guide (LBR)
- 12) Easy Soft GOR
- 13) Easy Soft DN 80

	CD 50 E	DN 80 CF	SH 7035	CD 30 CX
Area of Application				
Closet doors	✓	✓		✓
Pantry	✓	✓		✓
Tall cabinets	✓	✓		✓
Room Divider	✓	✓		
Small cabinets			✓	✓
Furniture			✓	✓
Design				
Wide aluminum frame doors	✓	✓	✓	✓
Narrow aluminum frame doors			✓	
PARAPAN® doors	✓	✓	✓	✓
Weight capacity (per door)	110 lbs (50 kg)	176 lbs (80 kg)	33 lbs (15 kg)	66 lbs (30 kg)
Door height maximum	96" *	96" *	48"	96"
Door width maximum	N/A	N/A	36"	36"
Carrier Position				
Top Sliding		✓		
Floor Sliding	✓		✓	✓
Door Positioning				
Inset	✓	✓	✓	✓
Floor to Ceiling	✓	✓		
Door Travelling				
Bypass	✓	✓	✓	✓
Single Plane	✓	✓	✓	✓
Tracks & Guides				
Track	1, 2, 3	4, 5, 6, 7	9	1, 2, 3
Guide	8	10, 11	9	1, 2, 3
Optional Features				
Soft Close Mechanism	12	13		

Contact Element Designs for availability of other sliding hardware systems and applications.